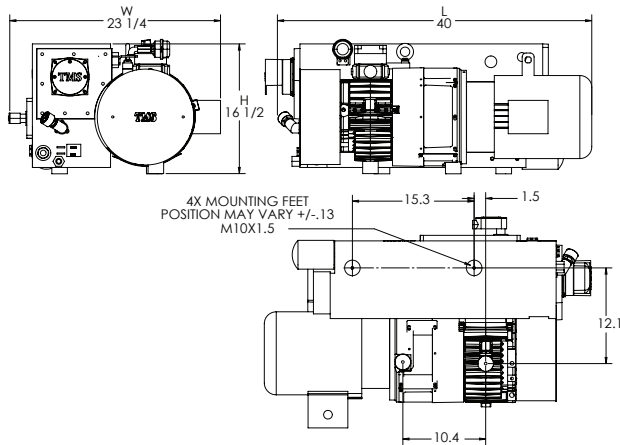


Rotary Vane Vacuum Pumps

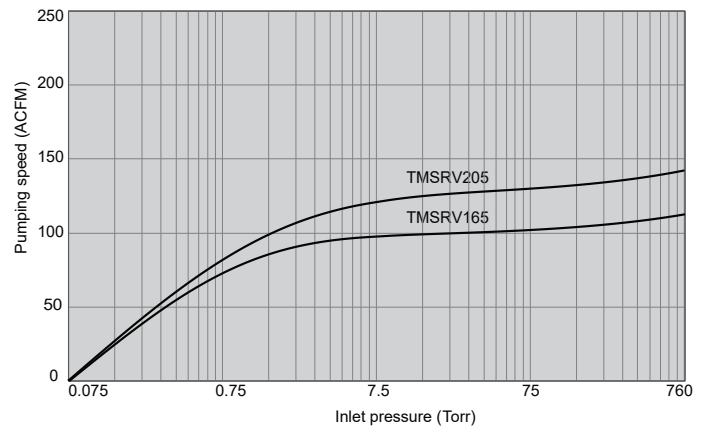
TMSRV165–205

Dimensional Drawing



Pumping Speed

Air at 70 °F. Tolerance: ± 10%



Technical Data	UOM	TMSRV165	TMSRV205
Max. pumping speed	ACFM	112	141
Ultimate pressure	Torr	0.075*	0.075*
Nominal motor rating	HP	7.5	7.5
Power consumption at 75 Torr	HP	6.3	7
Power consumption at ultimate pressure	HP	3.9	5.4
Nominal motor speed	RPM	1800	1800
Sound level (ISO 2151)	dB(A)	72	74
Oil capacity	Qts.	7	7
Approximate weight	Lbs.	435	435
Dimensions (L x W x H)	inches	40 x 23¼ x 16½	40 x 23¼ x 16½
Gas inlet	NPT	2" / 2"	2" / 2"

All performance data is based on ambient conditions of 14.7 PSIA and 70 °F, and has a tolerance of ± 10%.
 *0.375 Torr with standard gas-ballast valve open.



Learn more by scanning here or contacting us at info@tmsvacuum.com
 Trust the **TMS Difference.** | tmsvacuum.com