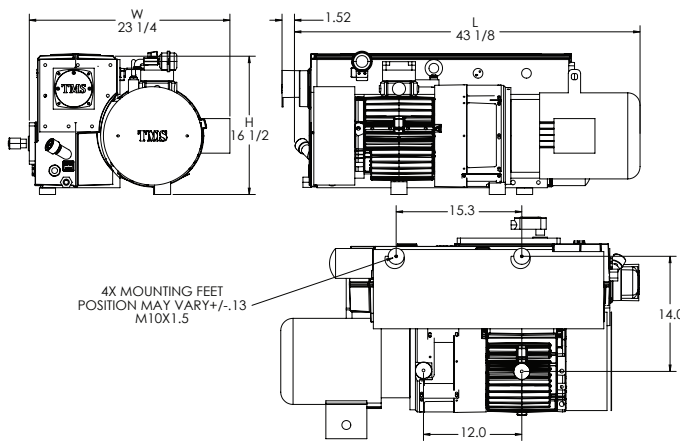


Rotary Vane Vacuum Pumps

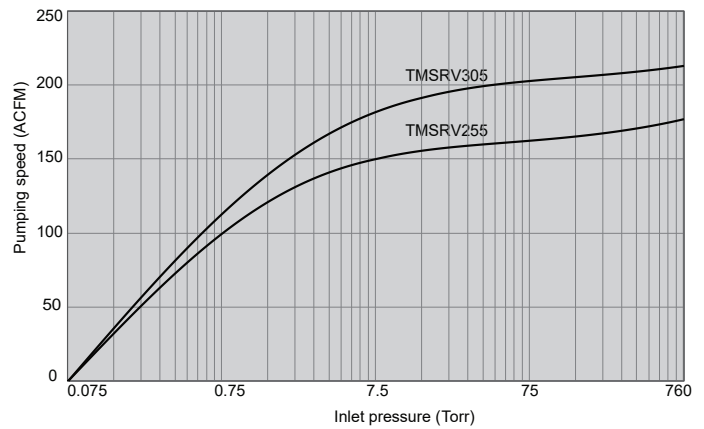
TMSRV255–305

Dimensional Drawing



Pumping Speed

Air at 70 °F. Tolerance: ± 10%



Technical Data	UOM	TMSRV255	TMSRV305
Max. pumping speed	ACFM	177	212
Ultimate pressure	Torr	0.075*	0.075*
Nominal motor rating	HP	10	12
Power consumption at 75 Torr	HP	8.8	9.6
Power consumption at ultimate pressure	HP	6	6.8
Nominal motor speed	RPM	1800	1800
Sound level (ISO 2151)	dB(A)	74	76
Oil capacity	Qts.	7	7
Approximate weight	Lbs.	520	520
Dimensions (L x W x H)	inches	43 1/8 x 23 1/4 x 16 1/2	43 1/8 x 23 1/4 x 16 1/2
Gas inlet	NPT	2" / 2"	2" / 2"

All performance data is based on ambient conditions of 14.7 PSIA and 70 °F, and has a tolerance of ± 10%.
 *0.375 Torr with standard gas-ballast valve open.



Learn more by scanning here or contacting us at info@tmsvacuum.com
 Trust the **TMS Difference.** | tmsvacuum.com